



Series 190 Omni-Controller

- **Maximum Versatility**
- **Control Liquid or Gas Feed**
- **State-of-the-Art Design**
- **Practical Settings and Options**

The OV-190 Omni-Controller offers the capability to control liquid chemical or gas chemical feed devices with a wide range of control options, adjustable features, and settings. Each Omni-Controller can perform proportional, set point, compound loop, and step feed control.



Control Options (all standard)

Manual Control

Set Point (Residual, pH, or ORP)

Compound Loop (Residual, pH, or ORP)

Step Feed (with 4 input channels)

Highlighted Features

2 x 20 Character Liquid Crystal Display

4 Pushbutton User Interface

2 Analog Inputs and 1 Analog Output for control

4 Relay Inputs for Step Feed Control

RS-232 Output

Alarm Relay Output

Adjustable: Signal Filters, Lag Time,
Display Ranges, and more...

Password Protected Control Settings

The Hydro **Omni-Controller** is the next generation of the Hydro UC-190 Universal Controller. By adding features, refining and simplifying several existing features, Hydro Instruments has taken a versatile, accurate and reliable controller and made it considerably more versatile, more accurate, and more reliable.

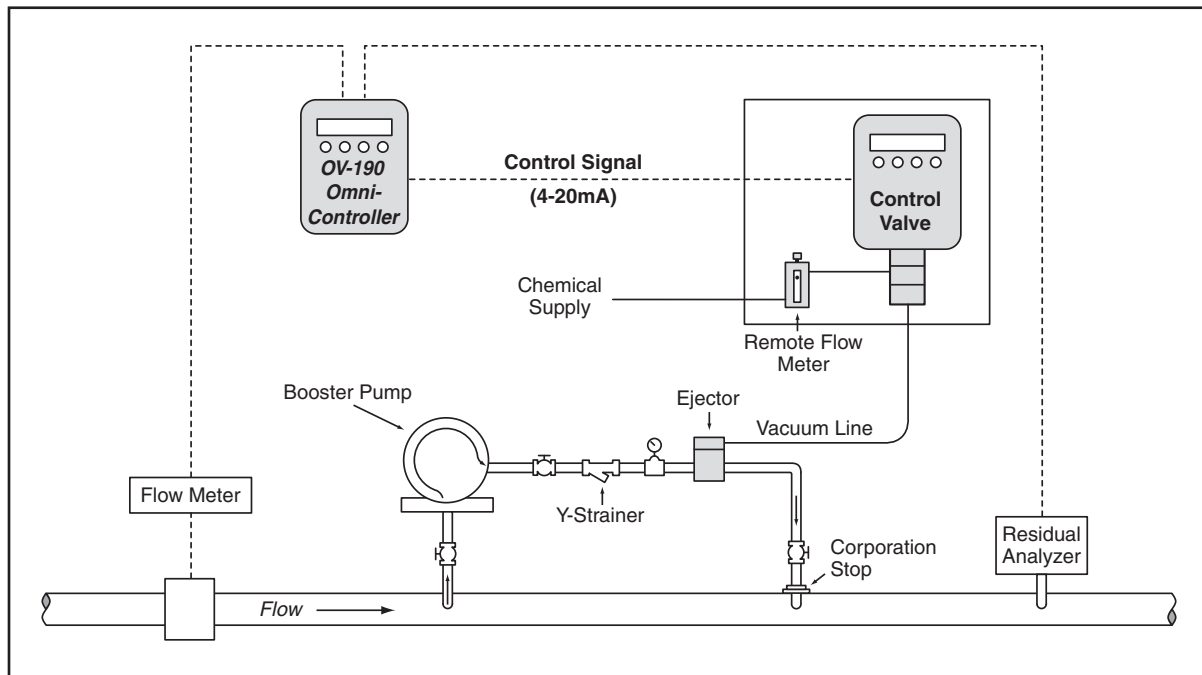
State-of-the-art microprocessor technology and years of industry experience have been combined to make the **Omni-Controller** extremely flexible and applicable to a wide range of applications.



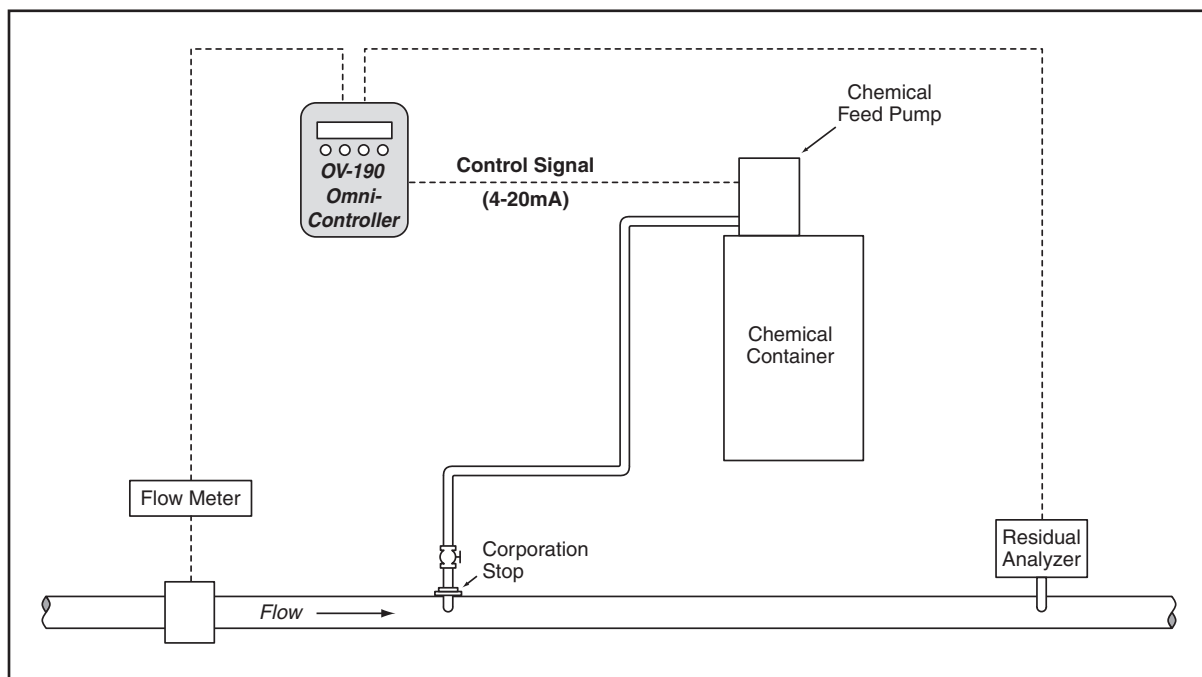
INSTRUMENTS



Series 190 Omni-Controller



Model OV-190 Omni Controller (Compound Loop Control Vacuum System)



Model OV-190 Omni Controller (Compound Loop Control Pump System)

