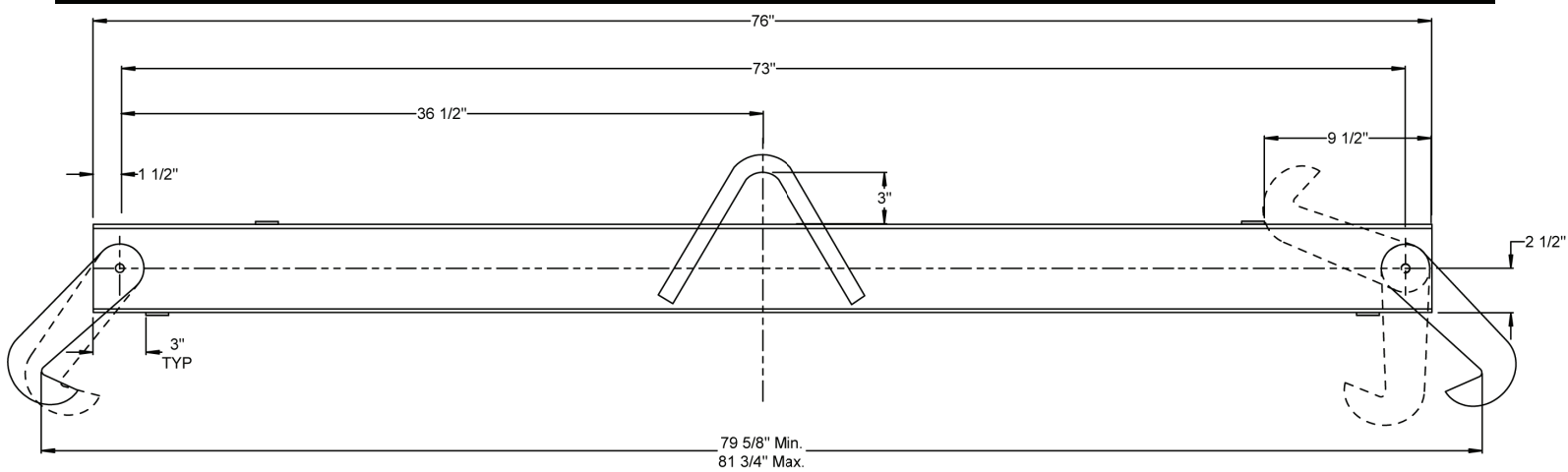




Ton Container Lifting Bar & Trunnion

Ton Container Lifting Bar



Ton Container Trunnion

The Roller Trunnion base is fabricated of ASTM-A36 steel and has a 2-part epoxy finish to resist corrosion. Rollers are zinc plated and equipped with bronze bushings for easier rotation and prevention of seizure. Roller pins are zinc plated steel with alemite grease fittings for ease of lubrication. Frames are drilled to allow the use of anchor bolts or lag bolts.

