

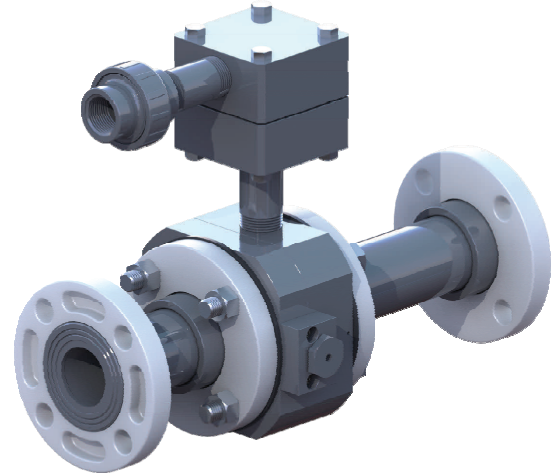


High Capacity Ejectors Anti-Siphon

Anti-siphon ejectors are typically used in systems where a siphon could occur in the ejector piping (typically in times when the ejector is not operating). These ejectors include a valve that allows air to enter and prevent development of a siphon that would otherwise lead to unwanted injection of chemical.

Features

- Anti-siphon valve.
- Fixed nozzle and throat.
- Integral check valve to prevent water from flooding the system.
- Van Stone style 150# socket flange process connections



Capacity

2" Ejector: 500-2000 PPD (10-40 Kg/h)

Description

Working off of the Venturi principle; as high pressure water is passed through a small orifice its velocity increases, resulting in a drop in pressure. This drop in pressure is great enough to create a vacuum condition downstream of the nozzle and pull the feed chemical into the water.

Anti-siphon ejectors include the valve that allows air to enter the water piping system and thereby prevent development of a siphon situation that could result in unwanted feeding of chemical at times when the system is not operating. Such situations could occur when installations have ejectors located at an elevation higher than the injection point (such as surface or waste water plants with underground water storage tanks or basins).

Made from durable PVC and other chemically resistant materials, these ejectors can be used with chlorine gas, sulfur dioxide gas, ammonia gas and sodium hypochlorite. For other chemicals please consult Hydro Instruments.

Description	Part Number	Capacity
2" Flanged Anti-Siphon Ejector	EJH-2000-CL2-AS	500 - 2,000 PPD (10 - 40 kg/h)

