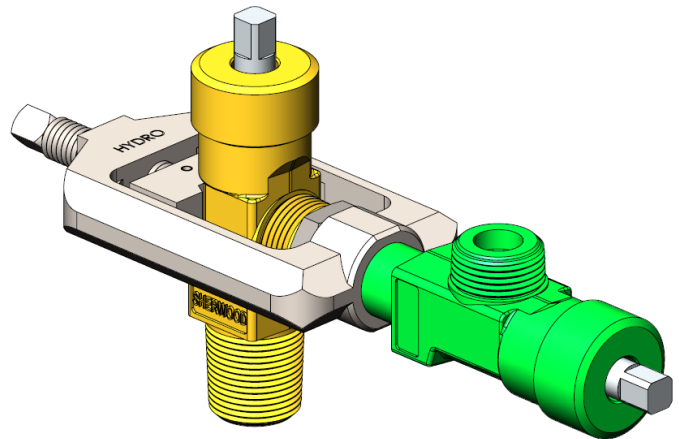


Hydro Instruments offers a variety of isolation valve assemblies for use with Chlorine, Sulfur Dioxide, Carbon Dioxide and Ammonia gases. Isolation valves aid in keeping pressurized gas lines safer and easier to use by preventing leaks and preventing moist air from entering and corroding manifolds.

Features

- Industry standard valve modified for use in a closed yoke
- Cadmium plated closed yoke and adapter
- Yoke and adapter are machined with maximum wall thickness for safety
- Variations available for various valves
- Suitable for liquid and gas applications.

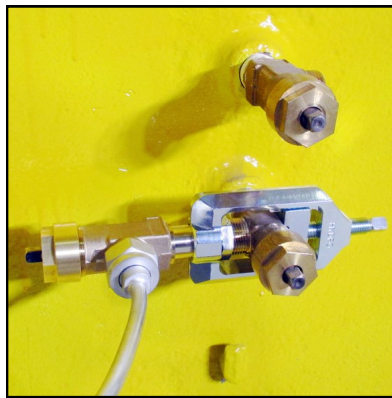


The IV-810 isolation valve assembly provides an auxiliary chlorine valve for 150 lbs. cylinder and ton container applications. The included closed yoke assembly (YAH-705) is specially designed to accommodate popular emergency shutoff actuators. The IV-810 has a replaceable slide bar that allows you to choose between the US and UN styles for fitting different types of valves.

The IV-810 isolation valve utilizes a modified industry standard gas cylinder valve for compatibility. These valves are rated to 500 PSI (34.5 bar) maximum working pressure, are capable of up to 2,000 cycles and can be easily serviced; making them durable and great for continuous duty.



IV-810 mounted on 150 lbs. upright cylinder with flexible connector.



IV-810 mounted on ton container with flexible connector.



IV-810 with emergency shutoff actuator on a ton container with flexible connector.