

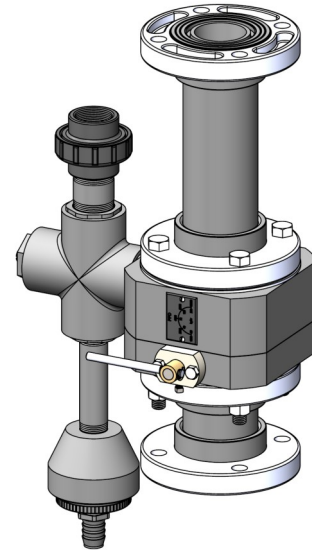


## High Capacity Ejectors Variable Orifice

Variable orifice ejectors are typically used in system where a wide range of feed rates are required. These ejectors allow external, manual adjustment of the Venturi nozzle orifice size to increase or decrease the ejectors capacity and water consumption.

### Features

- Adjustable nozzle orifice to increase or decrease capacity and water consumption.
- Integral check valve to prevent water from flooding the system.
- Optional check valve designs available for free range mounting orientation or low drag high efficiency
- Van Stone style 150# socket flange process connections



### Description

Working off of the Venturi principle; as high pressure water is passed through a small orifice its velocity increases, resulting in a drop in pressure. This drop in pressure is great enough to create a vacuum condition downstream of the nozzle and pull the feed chemical into the water. By being able to adjust the nozzle area in the ejector the operator can control the water flow through the ejector and thus manually control the chemical feed rate at the ejector.

Variable orifice ejectors have an added benefit in dirty water applications. As performance restricting particulates and debris build up in and around the nozzle, the nozzle orifice can easily be expanded to maintain the chemical feed rate, resulting in less downtime and maintenance.

Made from durable PVC and other chemically resistant materials, these ejectors can be used with chlorine gas, sulfur dioxide gas, ammonia gas and sodium hypochlorite. For other chemicals please consult Hydro Instruments.

### Capacity & Ordering Information

Part Number	Description
EJH-2100-CL2	2" flanged ejector, variable orifice with diaphragm check valve 2000 PPD (40 kg/h) max.
EJH-3100-CL2	3" flanged ejector, variable orifice with diaphragm check valve 10,000 PPD (200 kg/h) max.
EJH-3120-CL2	3" flanged ejector, variable orifice with ball check valve & drain valve 10,000 PPD (200 kg/h) max.
EJH-4100-CL2	4" flanged ejector, variable orifice with diaphragm check valve 10,000 PPD (200 kg/h) max.
EJH-4120-CL2	4" flanged ejector, variable orifice with ball check valve & drain valve 10,000 PPD (200 kg/h) max.

