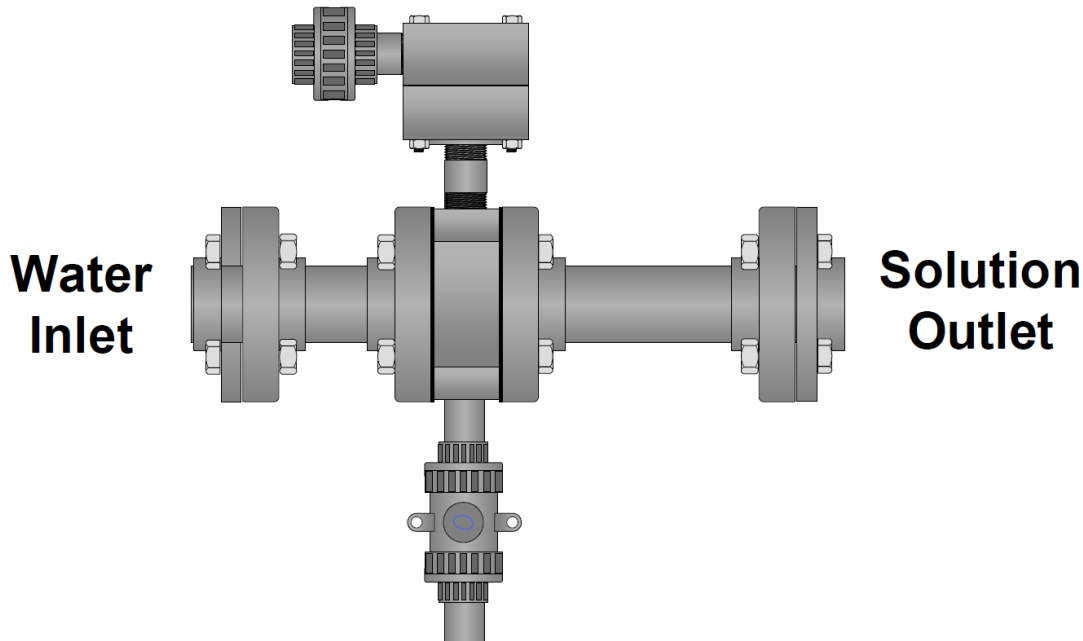




## Model EJO-2000-CLO2 ClO<sub>2</sub> Mixing Ejector



The Model EJO-2000-CLO2 Ejector is designed to be used to simultaneously induct up to three (3) separate gaseous or liquid chemicals and allow them to mix just prior to induction into the motive fluid stream. The primary application for this product is for use in Chlorine Dioxide generation systems where either three chemicals (Sodium Chlorite, Sodium Hypochlorite and Hydrochloric Acid) or two chemicals (Sodium Chlorite and Chlorine Gas) are being used to generate Chlorine Dioxide that is being injected into water. However, this could be used for other similar applications. A check valve is included to prevent back flow when ejector is not operating.

### Reliability

- Chemical flows under vacuum to avoid pressurized chemical leaks.
- Chemical reaction occurs under vacuum in a small volume just prior to entering the water.
- A check valve is included to prevent back flow when the ejector is not operating.

### Safety of Vacuum Systems

Venturi / Ejector feed configuration offers an all vacuum design for the injection of liquid chemicals mixing under vacuum. Dosing pumps pressurize the chemical feed lines which presents the risk of a pressurized chemical leak.

### Specific Chemical Applications and Material Selection

Consult the factory, your local Hydro Instruments sales representatives and Hydro Instruments Liquid Feed Materials Selection Guide document for material options and chemical resistance information for various chemical solutions. The standard materials of construction are PVC, Viton elastomers, and Hastelloy C-276 spring, PVDF nozzles and PTFE throats are available. Alternate materials can be offered upon request.

